

**MicrO/I<sup>®</sup> HG1X Operator Interface**



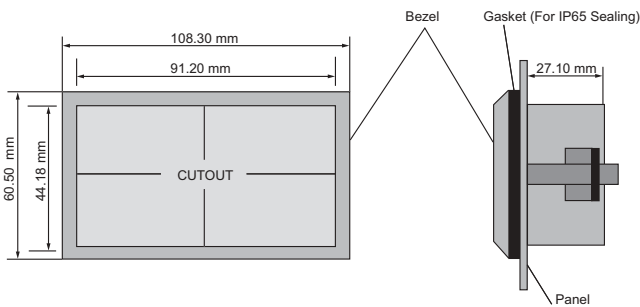
**Key features of the HG1X include:**

- 2-line 16 character, 4-line 20-character, or 8-line 20 character display
- No external power supply required (models HG1X-252 and 452)
- 24VDC models (HG1X-222, 422 and 822)
- Assign multiple actions to a single keystroke
- Assign actions to a combination of keys
- UL1604 approved for hazardous locations
- Keys have different functions depending on active screen
- Programmable with WindMSG software

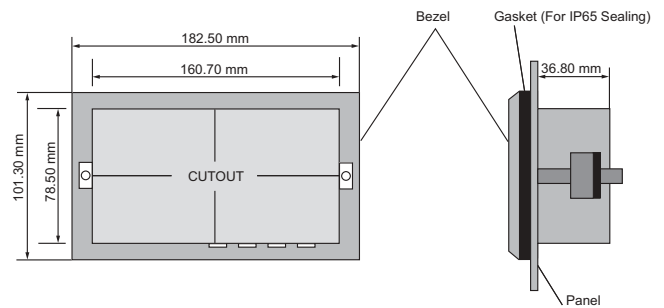


**Dimensions & Panel Cutout**

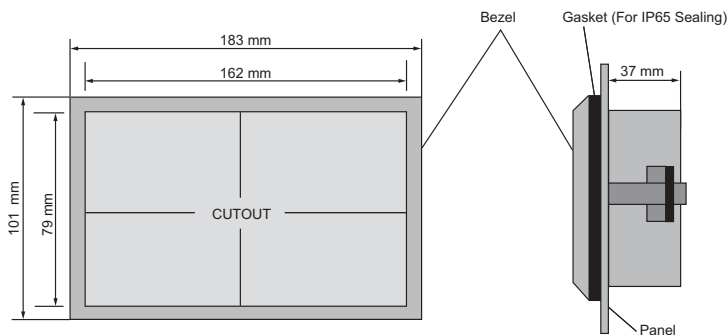
**HG1X-252/HG1X-222 Dimensions/Panel Cutout**



**HG1X-452/HG1X-422 Dimensions/Panel Cutout**



**HG1X-422 Dimensions/Panel Cutout**



Operator Interfaces **K**

## HG1X Specifications

		HG1X-252/HG1X-452	HG1X-222/HG1X-422/HG1X-822
<b>Standards</b>	Safety standards	UL508, UL1604	UL508, UL1604
	EMC standards	Immunity to ESD: Level 3 as per IEC 61000-4-2 Transient Immunity: Level 3 as per IEC 61000-4-4 Radiated Immunity: Level 3 as per IEC 61000-4-3 Emissions: EN55011 CISPR A Conducted RF Susceptibility: as per IEC 61000-4-6	Immunity to ESD: Level 3 as per IEC 61000-4-2 Transient Immunity: Level 3 as per IEC 61000-4-4 Radiated Immunity: Level 3 as per IEC 61000-4-3 Emissions: EN55011 CISPR A Conducted RF Susceptibility: as per IEC 61000-4-6
<b>Electrical</b>	Rated voltage	5V DC	24 VDC
	Voltage variation range	5 VDC (+/-) 5%	24 VDC (+/-) 10%
	Power consumption	HG1X-252: 120mA maximum HG1X-452: 160mA maximum	HG1X-222: 1 watt typical; 3 watt maximum HG1X-422: 1.5 watt; 3 watt maximum HG1X-822: 2.5 watt; 3 watt maximum
	Inrush current	N/A	HG1X-222: 45mA @24 VDC HG1X-422: 55mA @24 VDC HG1X-822: 115ma @24 VDC
<b>Environmental</b>	Operating temperature range	0 to 55°C	0 to 55°C
	Operating humidity range	0 to 90% (non-condensing)	10 to 90% (non-condensing)
	Degree of Protection	IP65 standards	IP65 standards
	Storage temperature	-25 to +80°C	-25 to +80°C
	Storage humidity	90% RH	95% RH
	Vibration resistance	10 to 61.2Hz, @ 0.2mm displacement 61.2Hz to 150Hz @ 1.5G acceleration (on all axes)	10 to 61.2Hz, @ 0.2mm displacement 61.2Hz to 150Hz @ 1.5G acceleration (on all axes)
	Shock resistance	1.5G acceleration for 11ms, 2 shocks per sense per axis (on all axes)	1.5G acceleration for 11ms, 2 shocks per sense per axis (on all axes)
<b>Structural</b>	Installation	Panel mount	Panel mount
	Exterior dimensions (W x H x D in mm)	HG1X-252: 108 x 61 x 27 HG1X-452: 183 x 101 x 37	HG1X-222: 108 x 61 x 27 HG1X-422: 183 x 101 x 37 HG1X-822: 183 x 101 x 37
	Panel cutout dimensions in mm	HG1X-252: 92 x 45 HG1X-452: 161 x 79	HG1X-222: 92 x 45 HG1X-422: 161 x 79 HG1X-822: 162 x 79
	Weight	HG1X-252: 137g HG1X-452: 318g	HG1X-222: 150g HG1X-422: 340g HG1X-822: 366g

General Specifications

K

Operator Interfaces

## Part Numbers

## Part Numbers: HG1X

Item	Part Number	Description
HG1X	HG1X-252	2-Line Character Display (no external power required)
	HG1X-452	4-Line Character Display (no external power required)
	HG1X-222	2-Line Character Display (24 VDC type)
	HG1X-422	4-Line Character Display (24 VDC type)
	HG1X-822	8-Line Character Display (24 VDC type)
WindMSG	WINDMSG	Configuration software for HG1X Series O/Is (includes Communication drivers for non-IDEDEC PLCs)

## Part Numbers: HG1X Cables

HG1X-252 & HG1X-452	HG1X-222, HG1X-422 & HG1X-822	Description	Connection
HG9Z-PCI25A	HG9Z-PCI25A	Programming cable for HG1X series (from PC to HG1X)	RS-232
HG9Z-SCI25A	HG9Z-SCI220	Cable between IDEC Micro3 PLC and HG1X	RS-232
HG9Z-SCI25B	HG9Z-SCI200	Cable between IDEC Micro3C/ONC/MicroSmart PLCs and HG1X	RS-232
HG9Z-SCI007	HG9Z-SCI100	Cable between AB-Micrologix series and HG1X	RS-232
–	HG9Z-SCI120	Cable between SLC-500 series and HG1X	RS-232
FC4A-SCI008	HG9Z-SCI600	Cable between Mitsubishi FX0 and HG1X	RS-232
HG9Z-SCI015	HG9Z-SCI500	Cable between Aromat FPO/FPM PLC and HG1X	RS-232
HG9Z-SCI023	HG9Z-SCI400	Cable between Koyo 205 series and HG1X	RS-232
HG9Z-SCI029	HG9Z-SCI300	Cable between Siemens S7-200 and HG1X	RS-232

## HG1X Drivers

## K

## HG1X Drivers (included with software)

- IDEC
- Allen Bradley (HG1X-252/452 support Micrologix series only)
- Mitsubishi
- Modicon
- Aromat
- Siemens
- PLC Direct

## Accessories

### HG1B Accessories

Part Number	Description
HG9Z-XK	Mounting brackets for HG1B series (1 per pack)

### HG2F/3F/4F Accessories

HG2F	HG3F	HG4F	
HG9Z-2D2 (5 sheets per pack)	HG9Z-3DAPN02 (2 sheets per pack)	HG9Z-4DAPN02 (2 sheets per pack)	Protective Sheet
HG9Z-2K1P (1 piece per pack)	HG9Z-4K1PN10 (10 pieces per pack)	HG9Z-4K1PN10 (10 pieces per pack)	Mounting Clip
HG9Z-2B1	HG9Z-3FB	HG9Z-4FB	Replacement Backlight
HG9Z-2G1	HG9Z-2G1	HG9Z-2G1	O/I Communication Link Unit
HG9Z-2P101	HG9Z-3P102	HG9Z-3P102	Digital I/O Expansion Unit
–	HG9Z-MF32	HG9Z-MF32	Compact Flash Card (32MB)

### Obsolete Parts

Obsolete	Replaced By
HG2A-SS22BF	
HG2A-SS22CF	HG2F-SS22VF
HG2A-SS22JF	
HG2A-SB22BF	
HG2A-SB22CF	HG2F-SB22VF
HG2A-SB22JF	
HG1A-SB32BF	
HG1A-SB32BF	HG1B-SB22WF